

STAINLESS STEEL FLOODLIGHT FOR HST/HSI E40 LAMP

AEGEAN 3



IP67



IP67

Application Area

- Multipurpose floodlights for engine rooms, weather-exposed areas, cargo holds, deck, stores, workshops, industrial areas

Design

- According to the rules of international classification societies, VDE and IEC

Housing

- Stainless steel, powder coated white RAL 9016
- Diffuser made of safety glass
- Reflector made of anodized aluminum, wide or narrow beam angle

Mounting

- Stainless steel bracket with three holes Ø17

Electric

- 230 V 50 or 60 Hz, Flexible cable, heat resistant

Cable entry

- Brass cable gland M25

Lamps

- HST/HSI-E40

Connection

- Junction box with 6mm² terminal and ignitors

Application Area

- Multipurpose floodlights for engine rooms, weather-exposed areas, cargo holds, deck, stores, workshops, industrial areas

Design

- According to the rules of international classification societies, VDE and IEC

Housing

- Stainless steel, powder coated white RAL 9016
- Diffuser made of safety glass
- Reflector made of anodized aluminum, wide or narrow beam angle

Mounting

- Stainless steel bracket with three holes Ø17

Electric

- 230 V 50 or 60 Hz, Flexible cable, heat resistant

Cable entry

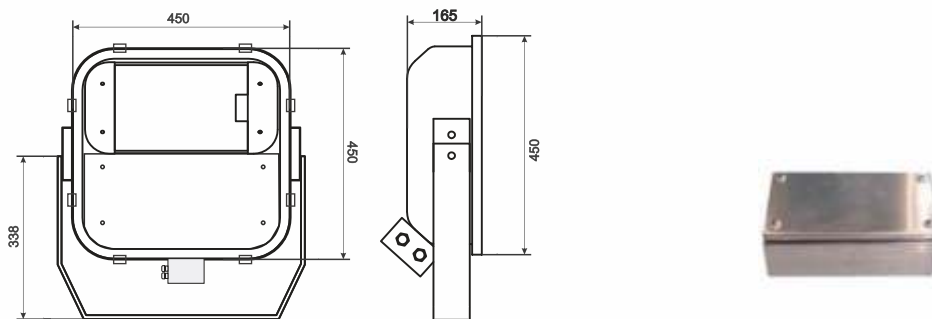
- Brass cable gland M25

Lamps

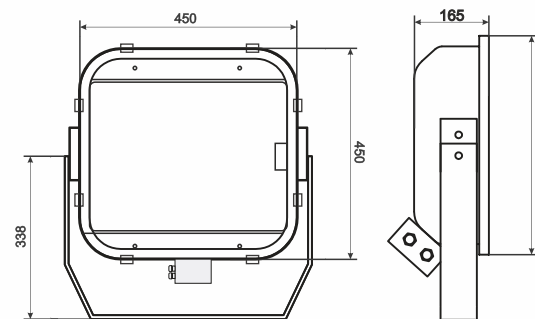
- HST/HSI-E40

Connection

- Junction box with 6mm² terminal and ignitors



CODE	VOLTAGE	FREQUENCY	WEIGHT
AEGEAN 3-250-11	230V	50Hz	20Kg
AEGEAN 3-250-12	230V	60Hz	20Kg
AEGEAN 3-250-14	110V	60Hz	20Kg
AEGEAN 3-400-11	230V	50Hz	20Kg
AEGEAN 3-400-12	230V	60Hz	20Kg
AEGEAN 3-400-14	110V	60Hz	20Kg



CODE	VOLTAGE	FREQUENCY	POWER	LAMP
AEGEAN 3-E40	PLEASE SEE THE BALLAST UNIT TABLE			E40

Order Codes

CODE	VOLTAGE	FREQUENCY	LAMP
BU-1000-11	230V	50 Hz	19 Kg
BU-1000-12	230V	60 Hz	19 Kg