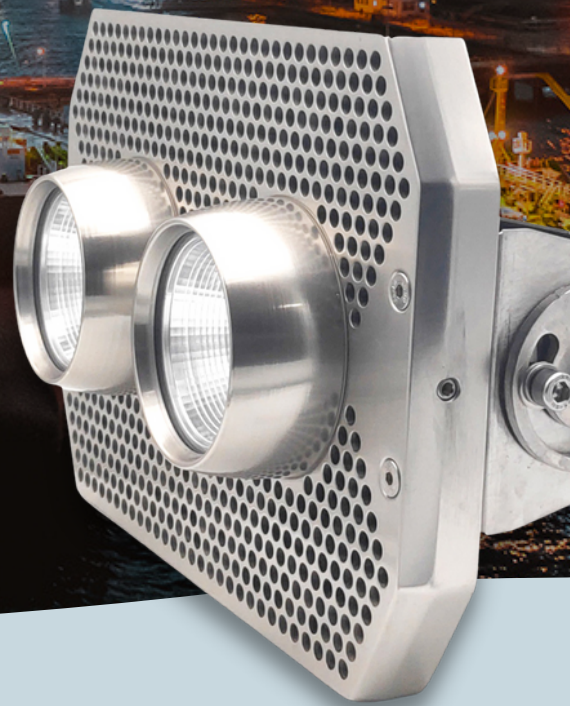


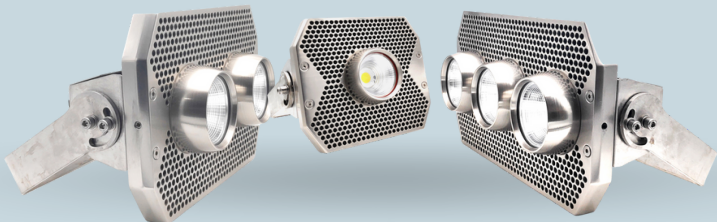
**POWERFUL
LED
FLOODLIGHTS**

Presenting the
Apollo Series

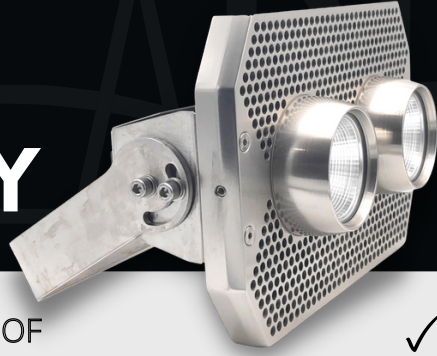


SEABRIGHT IS A LEADING MANUFACTURER OF ILLUMINATION DEVICES FOR THE MARINE AND INDUSTRIAL SECTORS, ESTABLISHED IN 1982.

THE SEABRIGHT PRODUCT SERIES RANGES IN APPLICATION FROM CALM TO HARSH ENVIRONMENTS.



KEY



ADVANTAGES

- ✓ VIBRATION PROOF
- ✓ 72.000 Hrs LED LIFETIME
- ✓ IP67 CLASSIFICATION
- ✓ MARINE GRADE ANODIZED ALUMINUM
- ✓ 5 YEARS WARRANTY
- ✓ BUREAU VERITAS MARINE APPROVAL
- ✓ MORE THAN 70% ENERGY SAVINGS
- ✓ DESIGNED AND PRODUCED FOR CHALLENGING MARINE ENVIRONMENTS

VIBRATION FREE

The body of the Apollo floodlights are made of marine grade anodized aluminum and Stainless steel AISI 316L Brackets, securing vibration-free operation.



REPAIRABLE

The Apollo series meets the end users and operators' requirements. Our units are 100% repairable and all spare parts of the fixture can be easily sourced and replaced.



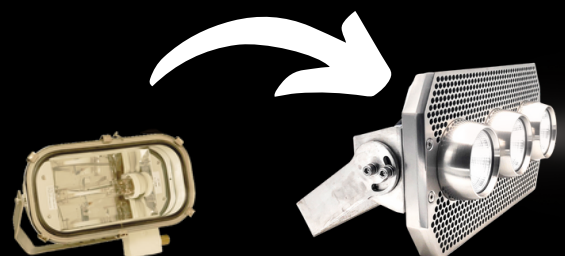
SAVINGS

All our components are sourced from the EU, which in combination with our trouble-free housing, are covered by a 5-year warranty period. An approximate power and lifetime saving of 70% can be achieved.

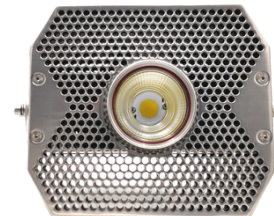
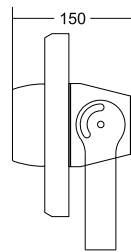
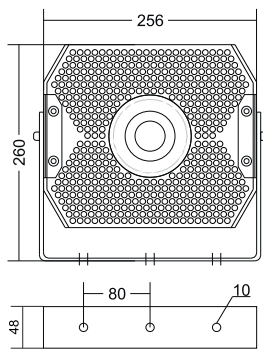


EFFECTIVE REPLACEMENT

Our Apollo series, is compatible with all the existing floodlight foundations in the market. Our production facility has the flexibility to manufacture all types of mounting fixtures.



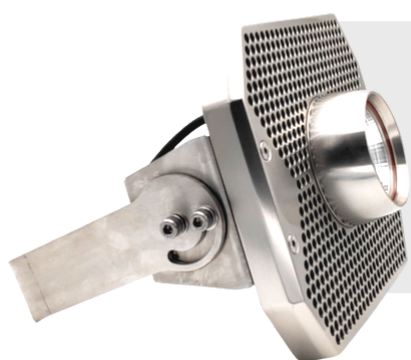
APOLLO 50



technical data

AMBIENT TEMPERATURE	-35 TO +45°C
VOLTAGE	100-240V
FREQUENCY	50-60 Hz
DRIVER TYPE	HIGH FREQUENCY
POWER CONSUMPTION	55W
SYSTEM LUMEN	6.516 LM
ANGLE OF VISIBILITY	21 °, 35 °, 64 °
LED COLOR	3000-5000K, CRI>80
LIFETIME	72.000 Hr
NUMBER OF DRIVERS	1
NUMBER OF LED MODULES	1
NUMBER OF FIXTURES ON MCB10 TYPE B FUSE	8
NUMBER OF FIXTURES ON MCB16 TYPE B FUSE	10
NUMBER OF FIXTURES ON MCB20 TYPE B FUSE	14
NUMBER OF FIXTURES ON MCB10 TYPE C FUSE	14
NUMBER OF FIXTURES ON MCB16 TYPE C FUSE	18
NUMBER OF FIXTURES ON MCB20 TYPE C FUSE	21
INRUSH CURRENT	I _{max} 69.8A Time 160µs

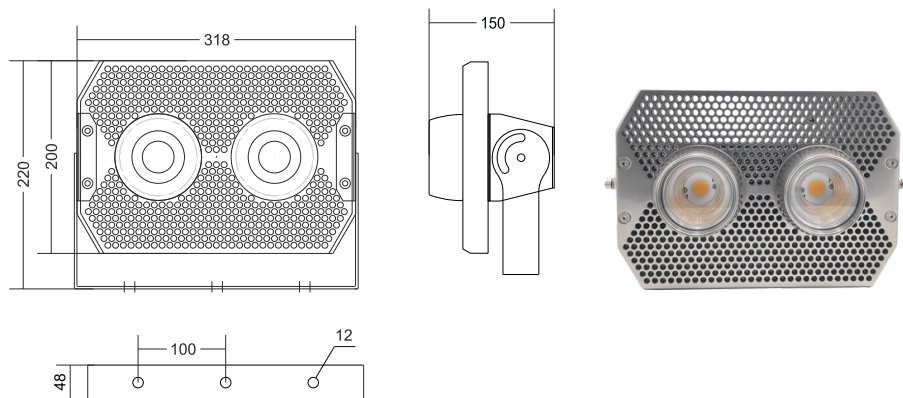
SEABRIGHT



72.000 Hr
LED Lifetime



APOLLO 100



technical data

AMBIENT TEMPERATURE	-30 TO +45°C
IP CLASSIFICATION	IP67
VOLTAGE	90-305V
FREQUENCY	50-60 Hz
DRIVER TYPE	HIGH FREQUENCY
POWER CONSUMPTION	105W
SYSTEM LUMEN	13.630 LM
ANGLE OF VISIBILITY	21 °, 35 °, 64 °
LED COLOR	3000-5000K, CRI>80
LIFETIME	72.000 Hr
NUMBER OF DRIVERS	1
NUMBER OF LED MODULES	2
NUMBER OF FIXTURES ON MCB10 TYPE B FUSE	23
NUMBER OF FIXTURES ON MCB10 TYPE C FUSE	35
NUMBER OF FIXTURES ON MCB16 TYPE B FUSE	3
NUMBER OF FIXTURES ON MCB16 TYPE C FUSE	6
INRUSH CURRENT	I _{max} 65A, Time 550µs

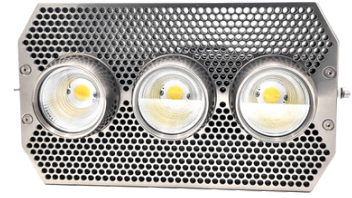
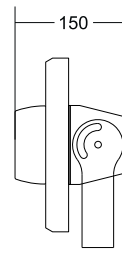
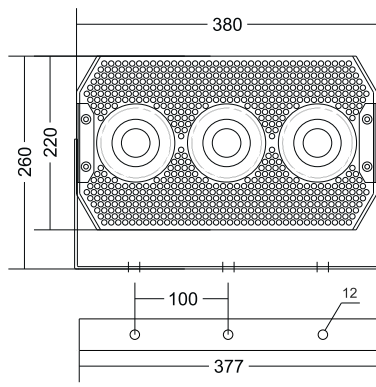
SEABRIGHT



72.000 Hr
LED Lifetime



APOLLO 150



technical data

AMBIENT TEMPERATURE	-30 TO +45°C
IP CLASSIFICATION	IP67
VOLTAGE	100-240V
FREQUENCY	50-60 Hz
DRIVER TYPE	HIGH FREQUENCY
POWER CONSUMPTION	160W
SYSTEM LUMEN	20.500 LM
ANGLE OF VISIBILITY	21 °, 35 °, 64 °
LED COLOR	3000-5000K, CRI>80
LIFETIME	72.000 Hr
NUMBER OF DRIVERS	1
NUMBER OF LED MODULES	3
NUMBER OF FIXTURES ON MCB10 TYPE B FUSE	1
NUMBER OF FIXTURES ON MCB16 TYPE B FUSE	3
NUMBER OF FIXTURES ON MCB20 TYPE B FUSE	6
NUMBER OF FIXTURES ON MCB10 TYPE C FUSE	3
NUMBER OF FIXTURES ON MCB16 TYPE C FUSE	6
NUMBER OF FIXTURES ON MCB20 TYPE C FUSE	6
INRUSH CURRENT	I _{max} 65A, Time 550µs

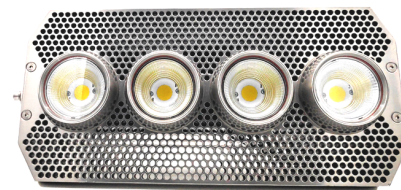
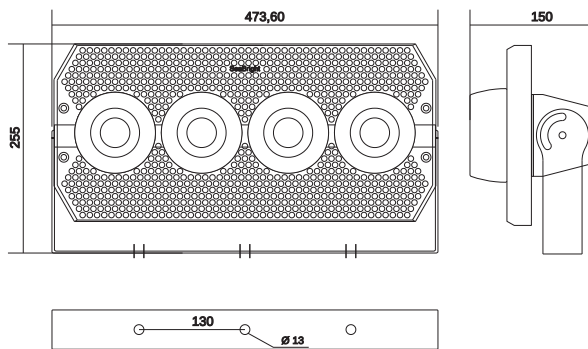
SEABRIGHT



72.000 Hr
LED Lifetime



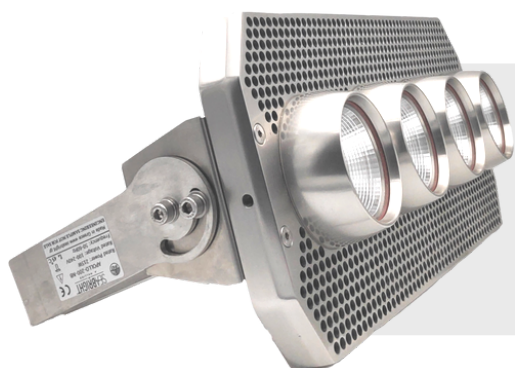
APOLLO 200



technical data

AMBIENT TEMPERATURE	-30 TO +45°C
IP CLASSIFICATION	IP67
VOLTAGE	90-305V
FREQUENCY	50-60 Hz
DRIVER TYPE	HIGH FREQUENCY
POWER CONSUMPTION	210W
SYSTEM LUMEN	27.000 LM
ANGLE OF VISIBILITY	21 °, 35 °, 64 °
LED COLOR	3000-5000K, CRI>80
LIFETIME	72.000 Hr
NUMBER OF DRIVERS	1
NUMBER OF LED MODULES	4
NUMBER OF FIXTURES ON MCB16 TYPE B FUSE	2
NUMBER OF FIXTURES ON MCB16 TYPE C FUSE	4
INRUSH CURRENT	I _{max} 75A, Time 450µs

SEABRIGHT

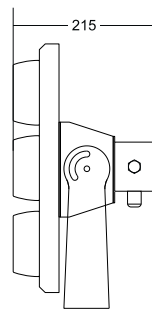
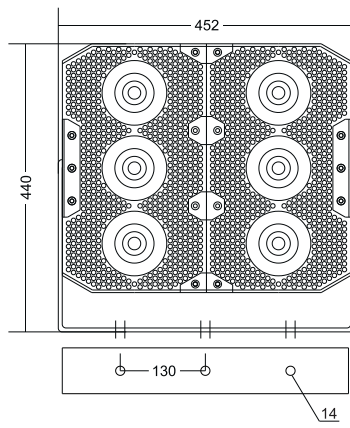


RIA

72.000 Hr
LED Lifetime



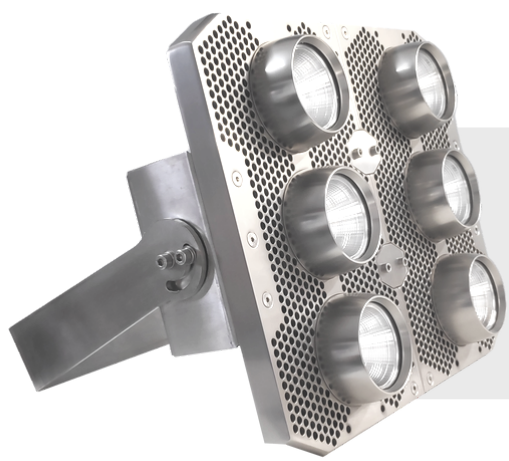
APOLLO 300



technical data

AMBIENT TEMPERATURE	-30 TO +45°C
IP CLASSIFICATION	IP67
VOLTAGE	220-240V
FREQUENCY	50-60 Hz
DRIVER TYPE	HIGH FREQUENCY
POWER CONSUMPTION	325W
SYSTEM LUMEN	41.000 LM
ANGLE OF VISIBILITY	21 °, 35 °, 64 °
LED COLOR	3000-5000K, CRI>80
LIFETIME	72.000 Hr
NUMBER OF DRIVERS	2
NUMBER OF LED MODULES	6
NUMBER OF FIXTURES ON MCB16 TYPE B FUSE	1
NUMBER OF FIXTURES ON MCB16 TYPE C FUSE	2

SEABRIGHT



72.000 Hr
LED Lifetime

