



**Application Area**

- Self testing emergency luminaries with LEDs for use to the indoor spaces of the vessel.

**Housing**

- Polycarbonate
- Diffuser made of clear polycarbonate

**Design**

- According to the rules of international classification societies, VDE and IEC

**Mounting**

- Wall or ceiling installation

**Lamps**

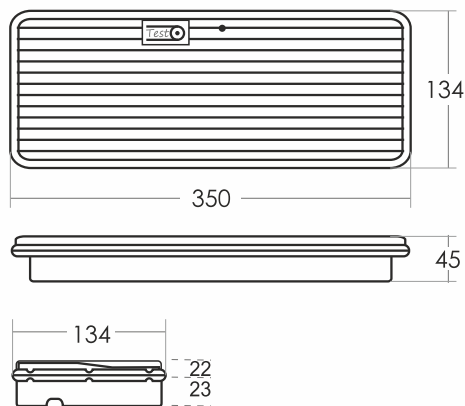
- LED module

**Electric**

- 230V 50-60Hz,  
Flexible cable, heat resistant up to 105°C

**Protection**

- IP40



Operation Voltage	220-240V AC/ 50-60Hz
Maximum Power consumption	3,5W/7VA
Battery (Ni-Cd)	3,6V/ 1,5Ah
Battery protection	From overcharge and full discharge
Indications - Controls	Charge, LED fault, Indication LED, Test button
Charging Time	24H
Minimum autonomous duration	180 min
Illumination Source	15 white LEDs
Illumination (230V/ Emergency)	105/105 lm
Degrees of cover protection	IP40