

HIGH EFFICIENCY LED OUTDOOR LIGHTING



SEABRIGHT IS A LEADING MANUFACTURER OF ILLUMINATION DEVICES FOR THE MARINE AND INDUSTRIAL SECTORS, ESTABLISHED IN 1982.

THE SEABRIGHT PRODUCT SERIES RANGES IN APPLICATION FROM CALM TO HARSH ENVIRONMENTS.



SEARIGHT

KEY

ADVANTAGES



- ✓ VIBRATION PROOF
- ✓ 72.000 Hrs LED LIFETIME
- ✓ IP67 CLASSIFICATION
- ✓ 5 YEARS WARRANTY

- ✓ BUREAU VERITAS MARINE APPROVAL
- ✓ MORE THAN 70% ENERGY SAVINGS
- ✓ DESIGNED AND PRODUCED FOR CHALLENGING MARINE ENVIRONMENTS



VIBRATION FREE

The body of the Poseidon fixtures are made of zinc coated steel, powder coated RAL 9016, securing vibration-free operation.

REPAIRABLE

The Poseidon series meets the end users and operators' requirements. Our units are 100% repairable and all spare parts of the fixture can be easily sourced and replaced.

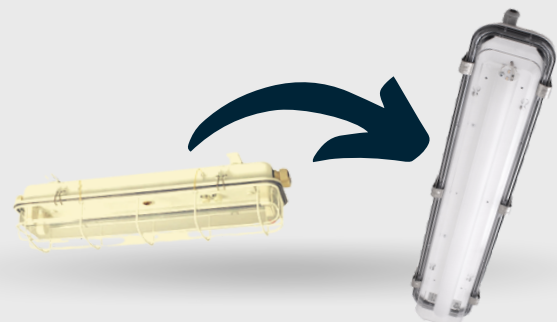


SAVINGS

All our components are sourced from the EU, which in combination with our trouble-free housing, are covered by a 5-year warranty period. An approximate power and lifetime saving of 70% can be achieved.

EFFECTIVE REPLACEMENT

Our Poseidon series, is compatible with all the existing watertight light foundations on the majority of vessels. Our production facility has the flexibility to manufacture all types of mounting fixtures.





technical data

AMBIENT TEMPERATURE	-30 TO +45°C
VOLTAGE	220-240V
FREQUENCY	50-60 Hz
IP CLASSIFICATION	IP67
POWER CONSUMPTION	18 - 33W
SYSTEM LUMEN	2500 - 5000 LM
LED COLOR	3000-5000K, CRI>80
LIFETIME	72.000 Hr

housing

- ZINC COATED STEEL, POWDER COATED WHITE RAL 9016
- DIFFUSER MADE OF CLEAR POLYCARBONATE, UV STABILIZED

ON REQUEST

- STAINLESS STEEL VERSION
- OPAL DIFFUSER
- 3 HOUR BACKUP UNIT
- 100-240V



72.000 Hr
LED Lifetime

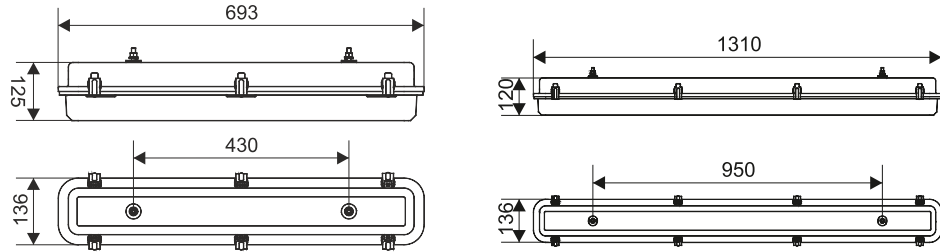


POSEIDON SERIES

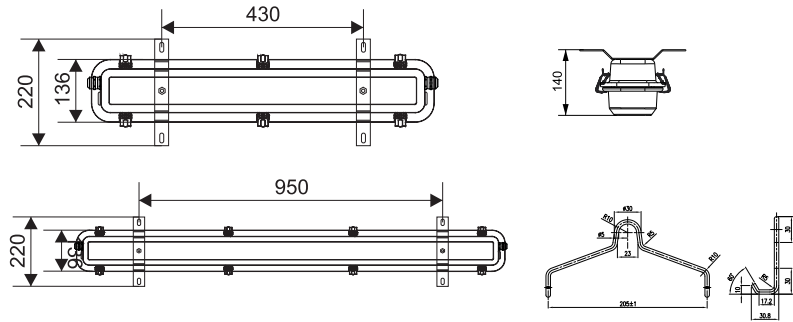
mounting options



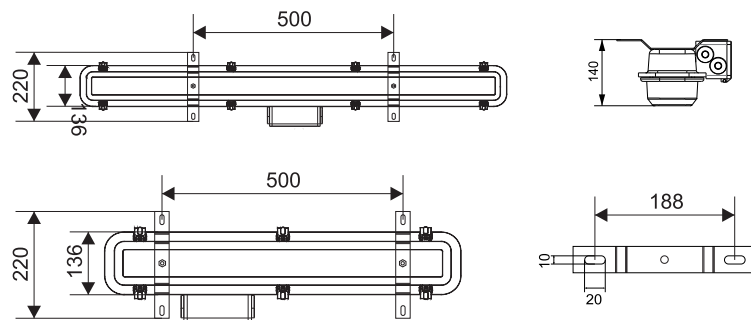
M8X35



CB



CB-500



RB

