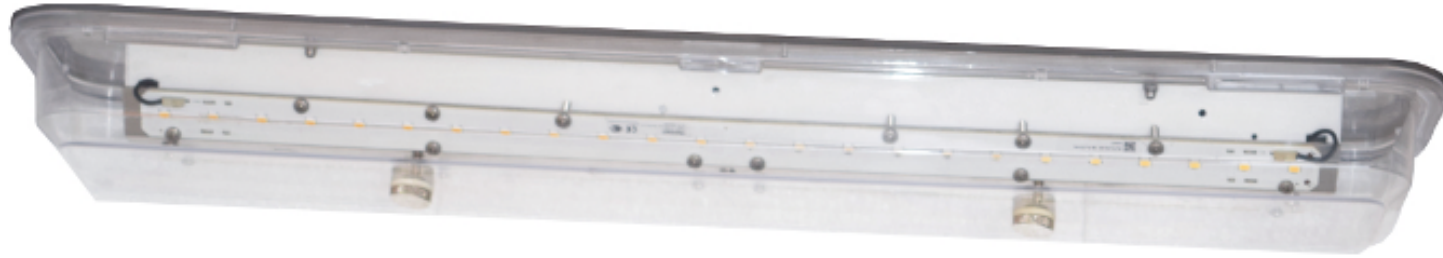


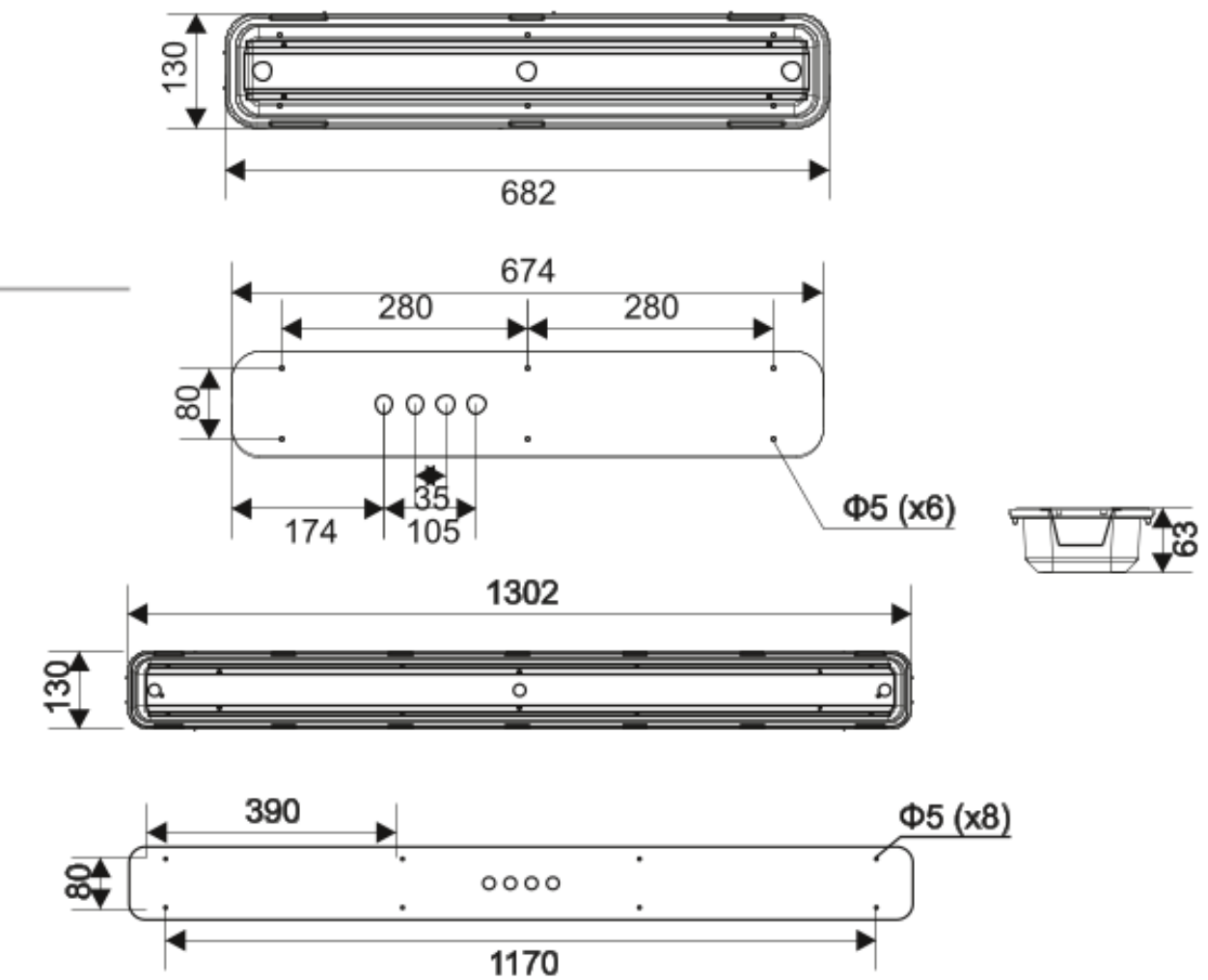
SURFACE FLUORESCENT LUMINARY

SOFIA



DIMENSIONS

Code	Voltage	Frequency	Wattage	CCT
SOFIA LED-56-3	220-240V	50-60Hz	18W	3000 K
SOFIA LED-112-3	220-240V	50-60Hz	32W	3000 K
SOFIA LED-56-4	220-240V	50-60Hz	18W	4000 K
SOFIA LED-112-4	220-240V	50-60Hz	32W	4000 K
SOFIA LED-56-5	220-240V	50-60Hz	18W	5000 K
SOFIA LED-112-5	220-240V	50-60Hz	32W	5000 K



TECHNICAL DATA

Application Area

- Surface luminaire for kitchens, galleys, pantries and provision stores, where there are strict hygiene rules

Design

- According to rules of USPH (U.S. Public Health) and to rules of maritime classification societies, additional VDE and IEC/EN

Housing

- Stainless steel
- Diffuser made of clear polycarbonate, UV stabilized (opal diffuser available)

Mounting

- Four or six holes (Please see the drawings)

Electric

- 220-240 V 50-60 Hz, Flexible cable, heat resistant up to 105 °C (additional electrical systems available, please see the order codes table)

Cable entry

- Two cable grommets M20

Connection

- Pass through wiring with push terminal 2.5mm²
- Pass through with Wieland watertight connector